



# FITTING INSTRUCTIONS

Part Number: **5440200**

Product Description: UNDER VEHICLE PROTECTION

Suited to vehicle/s: FORD RANGER PX AND MAZDA BT-50 (2012/ -)

**Please place these instructions in vehicle glovebox when complete.**

## **WARNING**

### **REGARDING VEHICLES EQUIPPED WITH SRS AIRBAG:**

When installed in accordance with these instructions, the vehicle protection panels do not affect operation of the SRS airbag.

### **ALSO, NOTE THE FOLLOWING:**

- ◆ This product must be installed exactly as per these instructions using only the hardware supplied.
- ◆ Do not use this product for any vehicle make or model, other than those specified by ARB.
- ◆ Do not remove labels (if any) from this product.
- ◆ This product or its fixing must not be modified in any way.
- ◆ The installation of this product may require the use of specialized tools and/or techniques
- ◆ These instructions are correct as at the publication date. ARB Corporation Ltd. cannot be held responsible for the impact of any changes subsequently made by the vehicle manufacturer
- ◆ During installation, it is the duty of the installer to check correct operation/clearances of all components
- ◆ Work safely at all times
- ◆ Unless otherwise instructed, tighten fasteners to specified torque

---

## **ARB 4x4 ACCESSORIES**

Corporate Head Office

42-44 Garden St  
Kilsyth, Victoria  
AUSTRALIA 3137

Tel: +61 (3) 9761 6622  
Fax: +61 (3) 9761 6807

Australian enquiries  
North & South American enquiries  
Other international enquiries

sales@arb.com.au  
sales@arbusa.com  
exports@arb.com.au

---

**www.arb.com.au**

# IMPORTANT INFORMATION. GENERAL CARE AND MAINTENANCE

By choosing ARB vehicle protection, you have bought a product that is one of the most sought after 4WD products in the world. Your under vehicle protection panels are a properly engineered, reliable, quality accessory that represents excellent value.



- While these panels have been engineered for strength and functionality care and good judgment should be taken when traversing difficult off-road conditions to minimise damage to panels and vehicle.
- During servicing when panels are removed ensure fasteners are re-fitted to the correct torque values.
- Inspect panels visually on a regular basis. Dirt and foreign matter should be washed out to minimise build-up around hot components. **BE VERY CAREFUL** when removing foreign matter with hands while vehicle is hot or running. Replace any components as necessary. This service can be performed by your local authorized ARB Stockist.

## FITTING REQUIREMENTS

### REQUIRED TOOLS FOR FITMENT OF PRODUCT:

BASIC TOOL KIT	TORQUE WRENCH 22-44Nm
AIR SAW/MULTI TOOL	

### HAVE AVAILABLE THESE SAFETY ITEMS WHEN FITTING PRODUCT:

Protective eyewear 	Hearing protection 
--	--

**NOTE:** 'WARNING' notes in the fitting procedure relate to OHS situations, where to avoid a potentially hazardous situation it is suggested that protective safety gear be worn or a safe work procedure be employed. If these notes and warnings are not heeded, injury may result.

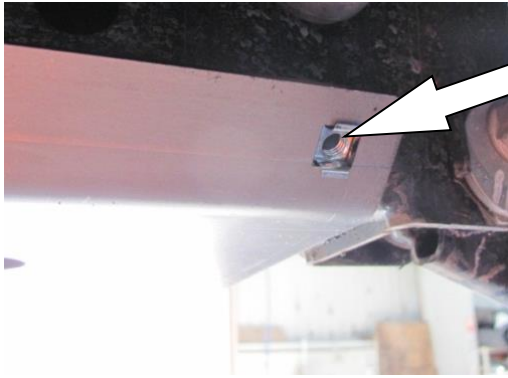
### FASTENER TORQUE SETTINGS:

SIZE	Torque Nm	Torque lbft
M6	9	7
M8	22	16
M10	44	32
M12	77	57

## PARTS LISTING

APPLICATION.	PART NO.	QTY.	DESCRIPTION.
FIT FRONT PANEL	6522866	1	FRONT UVP ASSEMBLY
	6151357	1	BOLT M10 SEMS
	6151321	2	NUT M10 FLANGE
	6151456	3	BOLT M10 X 45 MM
	4581083	3	WASHER FLAT M10
	4581048	3	WASHER SPRING M10
	3194376	1	WASHER SPACER 10 MM Ø 35 x 12MM
	6151303	3	NUT CAGE M8
FRONT PANEL TO OEM BUMPER ONLY	4581032	2	SPACER WASHER Ø 16 x 32 x 14MM
FIT SUMP PANEL	6522867	1	SUMP UVP ASSEMBLY
	3194375	2	PLATE SPACER 6 MM
	6151357	1	BOLT M10 SEMS
	3199915	1	CAGE NUT PLATE M10
	6151304	1	NUT M10 CAGE
	6151456	2	BOLT M10 X 45 MM
	4581083	2	WASHER FLAT M10
	4581048	2	WASHER SPRING M10
	6151022	3	BOLT M8 X 25
	4581046	3	WASHER SPRING M8
	4581044	3	WASHER FLAT M8
	FIT TRANSMISSION MOUNT	3194799	1
3199915		1	CAGE NUT PLATE M10
6151304		1	NUT M10 CAGE
6151357		2	BOLT M10 SEMS
FIT TRANSMISSION PANEL	6523060	1	TRANSMISSION UVP ASSEMBLY
	6151357	2	BOLT M10 SEMS
	6151321	2	NUT M10 FLANGE
	6151022	3	BOLT M8 X 25
	4581046	3	WASHER SPRING M8
	4581044	3	WASHER FLAT M8
	6151132	3	NUT FLANGE M8
FIT TRANSFER PANEL	6522872	1	TRANSFER CASE UVP

## FITTING PROCEDURE



1. Remove original stone shields from vehicle. Insert 3 x Ø M8 cage nuts to rear of supplied front panel as shown.



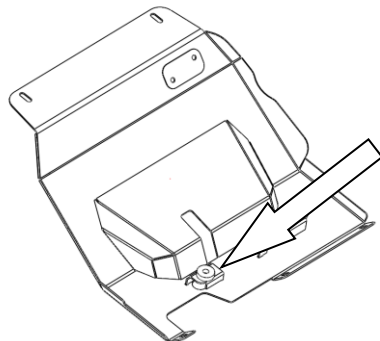
2. Trim plastic air dam using an air saw / multi tool.

Measure 20 mm up from corner and 80 mm back. Mark a cut line between the points as shown.

**NOTE:**

**Installation of the front panel may require additional material removed.**

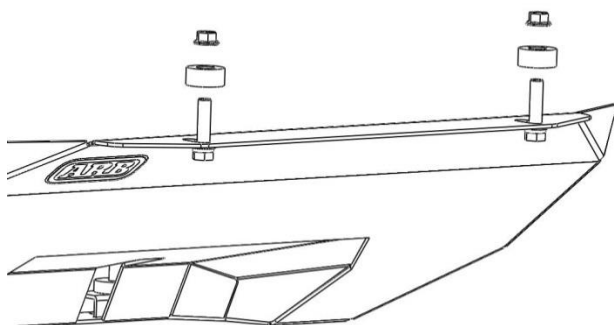
**If required, cut additional material in small increments until a clearance of 10 mm is achieved between the air dam and the front panel.**



**If recovery point is fitted skip to next step.**

3. Place Ø 35 mm x Ø 12 mm x 10 mm washer spacer as shown.
4. Place panel up to vehicle and secure to original points in chassis using Ø M10 SEMS bolt on the lower RH side and an Ø M10 x 45 mm bolt, spring & flat washer on the lower LH side.

NOTE: Leave finger tight.



**When vehicle is equipped with an original vehicle bumper;**

5. Place 2 x spacer washers provided between the vehicle and the UVP.
6. Secure front of panel using 2 x Ø M10 x 45 mm bolt, spring & flat washer.

NOTE: Leave finger tight.

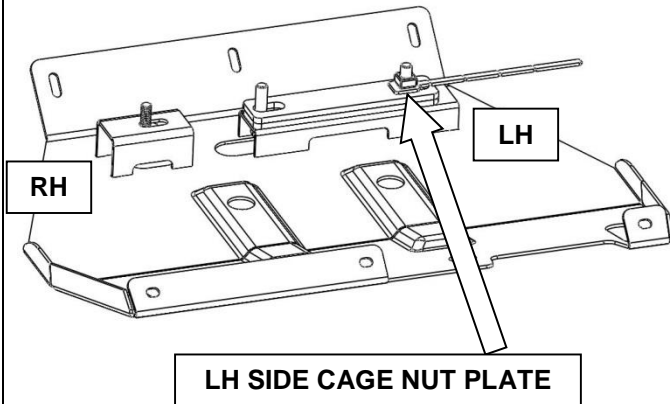
## FITTING PROCEDURE



**When vehicle is equipped with a bullbar;**

- Secure front of panel using 2 x  $\varnothing$  M10 mm x 45 mm bolt, spring & flat washer.

NOTE: Leave finger tight.



**If recovery point is fitted, skip to next step.**

- Place two 6 mm plate spacers on the sump panel as shown.
- Lift sump panel into position and secure to chassis cross member using  $\varnothing$  M10 SEMS bolt on the RH side, Place  $\varnothing$  M10 x 45 mm bolt, flat & spring washer for the middle and LH side. On the LH side only, insert cage nut plate and  $\varnothing$  M10 cage nut.

### **Important:**

**If recovery point is fitted, retain recovery point cage nut plate for fitment.**

Insert cage nut plate from access hole in top of cross member.

NOTE: Leave finger tight.



- Secure sump panel to front panel using 3 x  $\varnothing$  M8 x 25 bolts,  $\varnothing$  M8 spring washers and  $\varnothing$  M8 flat washers.

NOTE: Leave finger tight.



- Remove and discard OEM shield from transfer case.



## FITTING PROCEDURE



12. Fit transmission mount to transmission cross member using 2 x  $\varnothing$  M10 SEMS bolts,  $\varnothing$  M10 cage nut and cage nut plate. Only the RH side needs a cage nut & plate. Ensure plate is aligned with cross member. Make sure slotted mounting points face rearwards.
13. Tighten mounting plate fasteners to prescribed torque settings now.

 **44 Nm.**



14. With the help of another person or a jack lift the transmission panel into place and secure the front section using 3 x  $\varnothing$  M8 x 25 bolts, spring washer, flat washers and flange nuts.

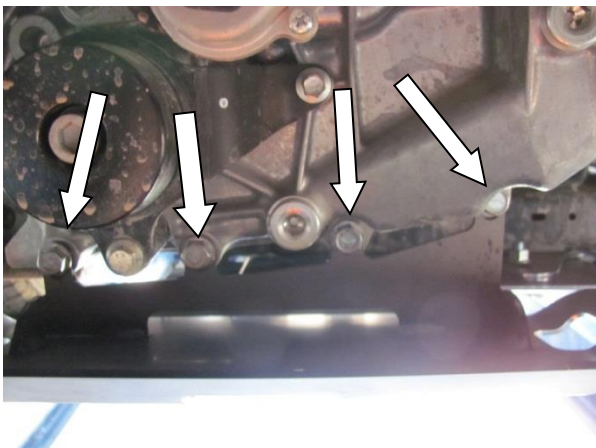
NOTE: Leave finger tight.



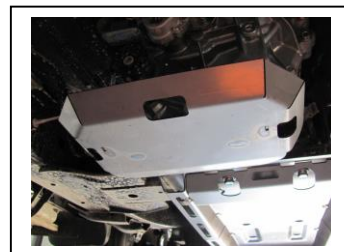
15. Secure rear of transmission panel using 2 x  $\varnothing$  M10 SEMS bolts and  $\varnothing$  M10 flange nuts.
16. Once done, tighten ALL bolts to prescribed torque;

**M8 fasteners;**  **22 Nm.**

**M10 fasteners;**  **44 Nm.**



17. Remove four bolts from rear of transfer case as shown. A drip tray should not be needed but may be wise to have. Place transfer panel up to case and secure using bolts removed.
18. Torque to vehicle manufactures specification.



## FITTED PRODUCT

